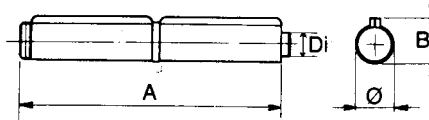


GATE ACCESSORIES

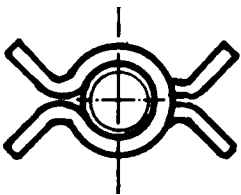
Weld-on hinges loose pin



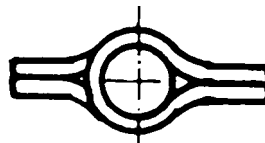
	Art. 50-01	Art. 50-02	Art. 50-03	Art. 50-04
A mm	80	100	120	140
Ø mm	12	14	15	16
B mm	16.5	18	19.5	22
Di mm	8	8.5	10	10.5

24 pcs/box 2 wings

Heavy duty hinges for gates

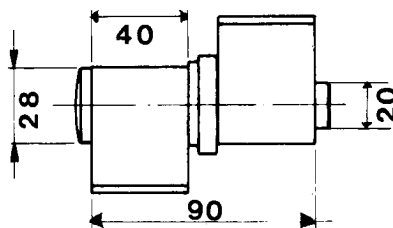


Open Wings
8 pcs /box



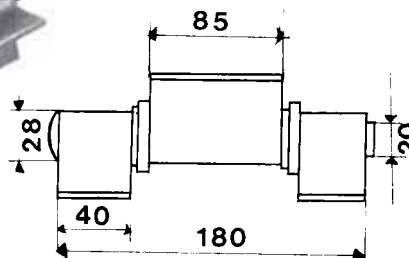
Close Wings
12 pcs /box

2 Wings - Brass washer, loose pin, lubrication hole



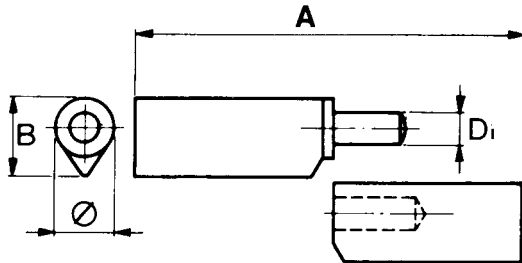
Art. 50-14 Open Wing 4.400 kg (8pcs)
Art. 50-15 Closed Wing 6.400 kg (12pcs)

3 Wings - Brass washer, loose pin, lubrication hole



Art. 50-16 Open Wing 4.400 kg (4pcs)
Art. 50-17 Closed Wing 6.400 kg (6pcs)

Hinges fixed with brass pin and brass washer

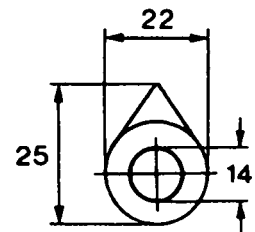


	Art. 50-18	Art. 50-19	Art. 50-20	Art. 50-21
A mm	60	80	100	120
Ø mm	10	12	14	16
B mm	12	14	16	18
Di mm	6	7	8	9
Pcs/box	24	24	24	24
Weight	0.900	1.800	3.000	4.700

Fixed brass pin and brass washer

Art 50-22
L 150mm
5.500 kg

12 pcs/box



Heavy Duty Ball Bearing Hinges for Steel Gates



Top Piece



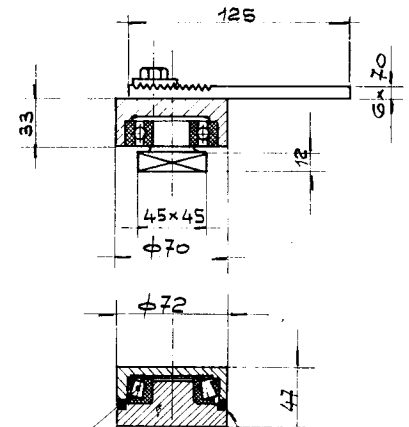
Bottom Piece



SMALL TYPE
MAXIMUM WEIGHT LOAD: 500KG

Art 50-23 top piece
Art 50-24 bottom piece

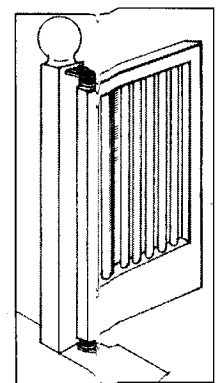
Whole set weight 1.500 kg



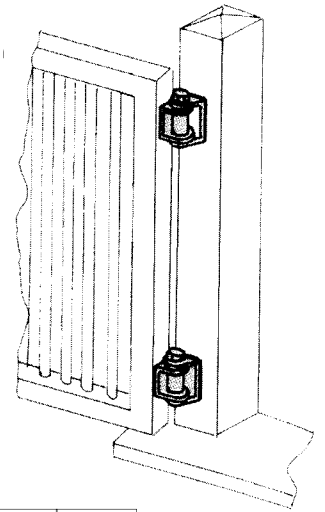
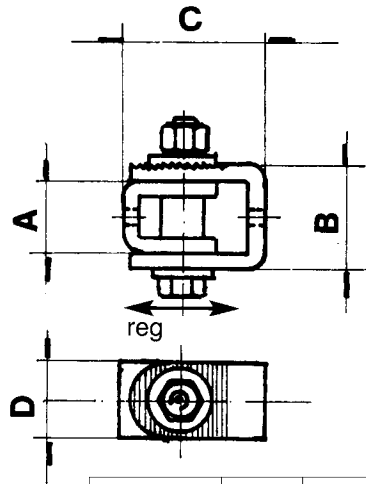
LARGE TYPE
MAXIMUM WEIGHT LOAD: 1000KG

Art 50-25 top piece
Art 50-26 bottom piece

Whole set weight 3.200 kg



Regulating hinge Zinc Plated

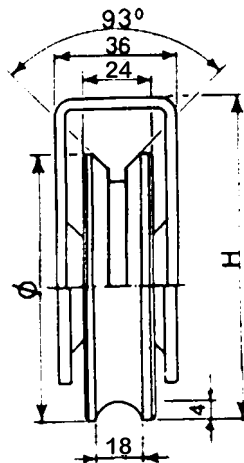


	Type	A	B	C	D
Art. 50-27	Big	45	60	64+73	35
Art. 50-28	Small	30	45	60+70	30

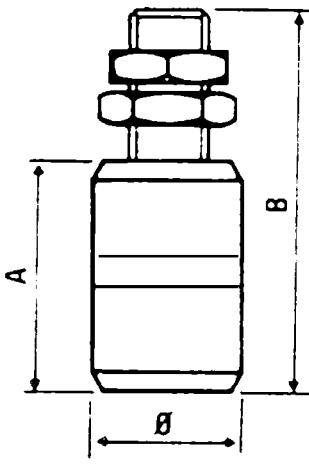
Wheels with support



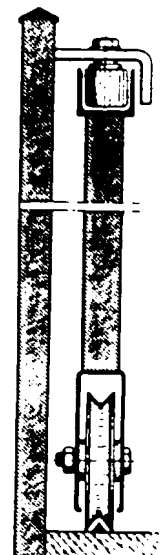
Art 50-30
Ø 80mm
H 85 mm



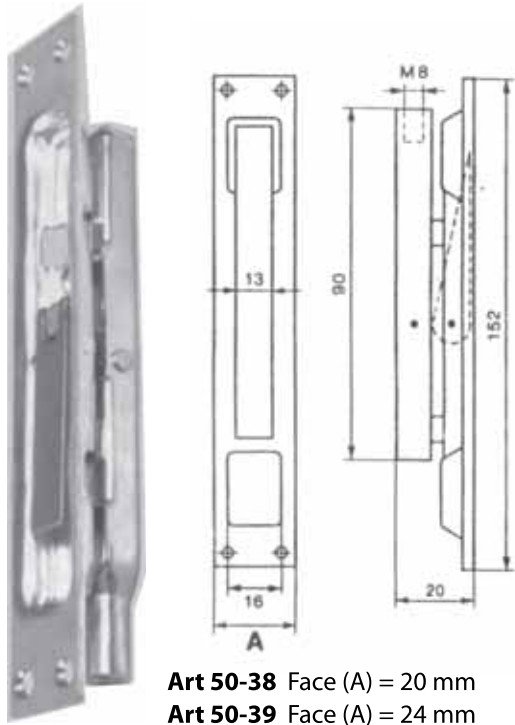
Nylon roller guide for sliding gates



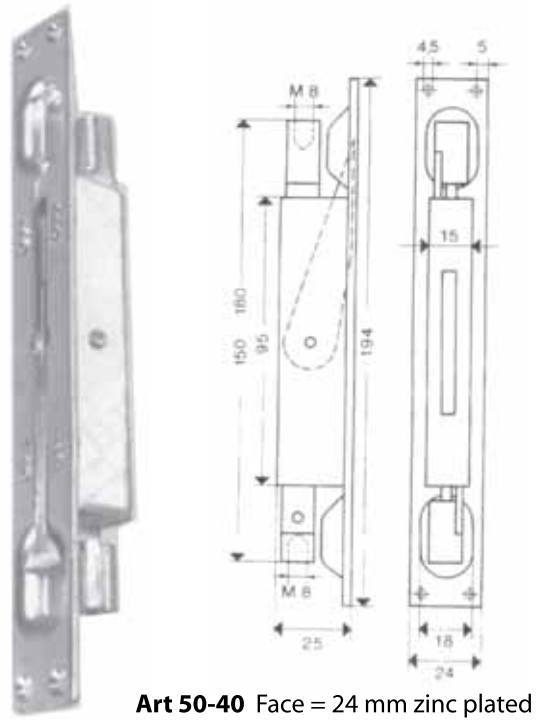
	Type	Ø	A	B	
Art. 50-36	Big	42	59	104	mm
Art. 50-37	Small	32	40	74	mm



Lever bolt for metal doors



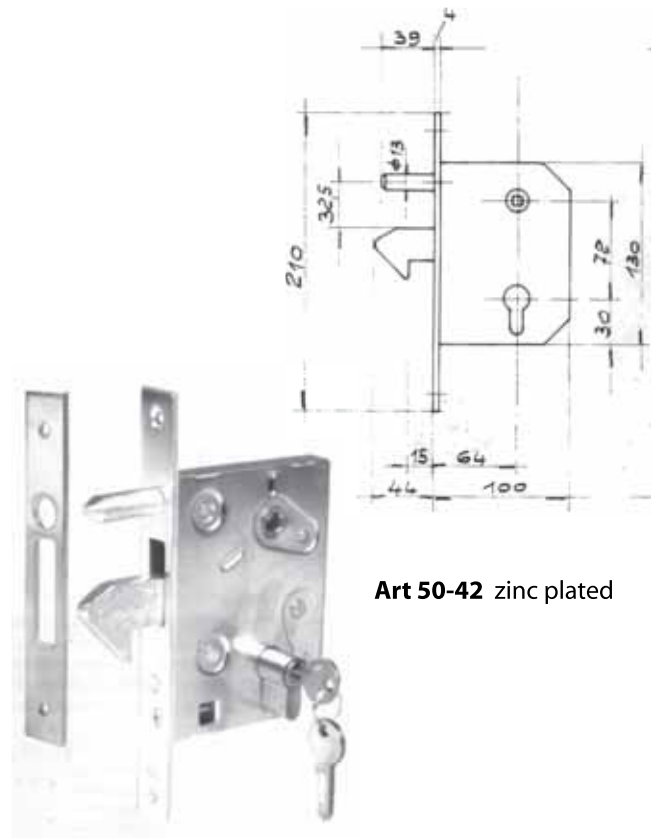
Double acting lever bolt for metal doors zinc plated



Heavy Type Flush Bolt with Brass Lever



Lock for sliding gates



Wheels for sliding gates with 2 ball bearings

U Shaped

Art 50-49

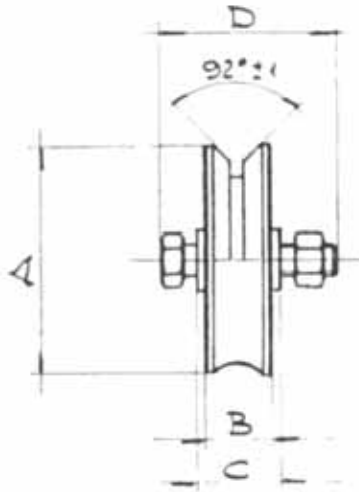
A mm 100

B mm 30

C mm 34

D mm 14 x 70

Cap 2 wheels 700 kg



V Shaped

Art 50-50

A mm 100

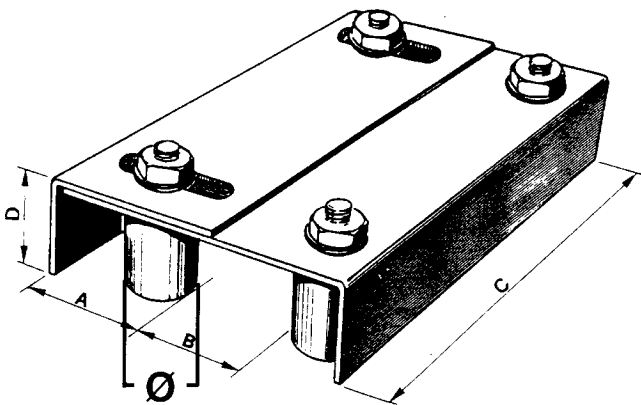
B mm 30

C mm 34

D mm 14 x 70

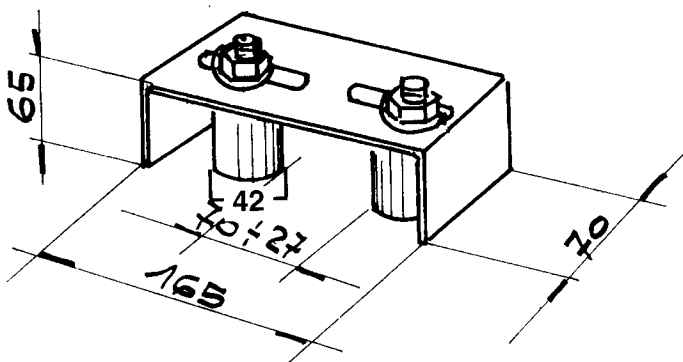
Cap 2 wheels 700 kg

Regulating 4 guides plate for Sliding Gates



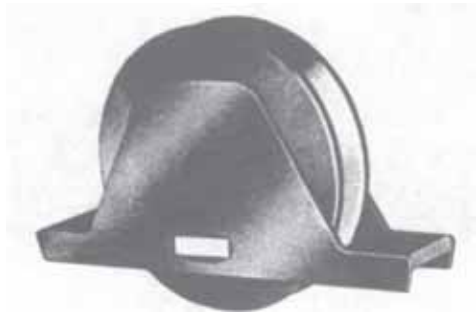
Nylon - Guide

	Type	A	B	C	D	Dia
Art. 50-51	Big	45+70	20+60	220	55	n.4 guide 30
Art. 50-52	Small	55+100	60+100	350	65	n.4 guide 42



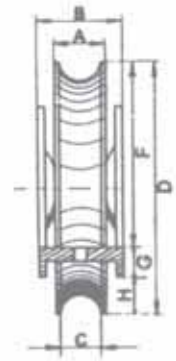
Art 50-53 Regulating 2 guide plate
for sliding gates
Zinc plated

Wheel Internal Support with 2 ball bearings



D	A	B	C	F	G	H
90	24	32	21	63	12	10

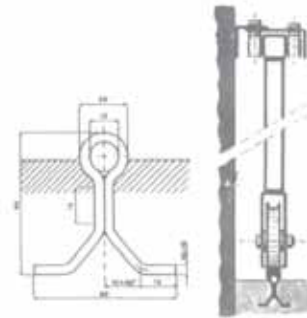
Art. 50-54
Cap 2 wheels 600kg



Galvanised Track 3m Length



Art. 50-55 Aboveground track

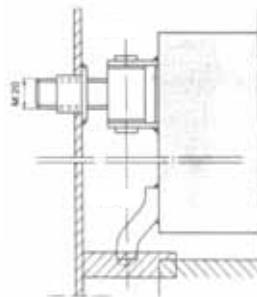


Art. 50-56 Underground track

Regulating Pivot for gates



Art. 50-57



Bottom Pivot for gates



Art. 50-58

As Artistic Wrought Iron Suppliers are soley Importers & not manufacturers of our product range.

Product batches may have slight variation over time.
Over the years we have placed extreme efforts into batch control and consistency to deliver a precise finished component.